



Bulk Seed Tender®

Patented

The Original Seed Loading and Delivery System



Since 1990, when Friesen USA introduced the Bulk Seed Tender®, we have remained the Leader! *We are committed to Innovation, Quality and Service...* Our unit takes the work out of loading seed into your planter or drill, speeding up the process by delivering 400 plus lbs/min...it is important to us that your seed going into our unit has the same quality going out, that's why our design is Number One.

Model	Dimension	Volume	Discharge Ht.	Compartment
110	84"x 84"	110 cu ft	116"	1

T6000 Trailer is shown and available as an option

Options

- ◇ Trailers
- ◇ Solenoid Electric Control
- ◇ Electric Start
- ◇ Scales

Quality Features

- ◇ Roll Back Safety Lids
- ◇ Shut off Gates
- ◇ Clean Out Door
- ◇ Poly Cup Flyting
- ◇ 5 HP Honda Gas Engine
- ◇ Clutch System
- ◇ Telescopic Spout
- ◇ Controls for Flow
- ◇ Powder Coat Finish



Model	Dimension	Volume	Discharge Ht.	Compartment
220	120"x 84"	220 cu ft	116"	2

T14000 Trailer is shown is available as an option

"I run a one man operation and I gain at least 40 acres a day with my Friesen Bulk Seed Tender. I wouldn't do it any other way!"

Jerry Burger
Adel, Iowa

"With my Friesen Bulk Seed Tender, I can plant 80 acres of soybeans before noon without the hassle of seed sacks"

Robert Wert
Aurora, NE
(12 row narrow)



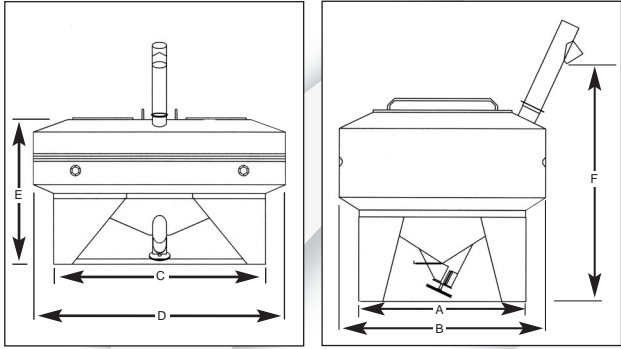
Trailers

Model	Axle Rate	Width	Type	Application
T 6000	(1) 6,000# torsion	8'	Ball 2 5/16	110
T 14000	(2) 7,000# torsion	8'	Ball 2 5/16	220
GT 14000	(2) 7,000# torsion	8'	Gooseneck	220

Features

- ◇ Extra Strong Fenders
- ◇ Step
- ◇ Jack – (Ball unit)
- ◇ Breakaway Kit (Ball units)
- ◇ Lights/Brakes
- ◇ Rear Stabilizer Support
- ◇ Deluxe Rims

Specifications



Model	Capacity		Dimensions					
	Units	Bushels	A	B	C	D	E	F
7S110	110	88	48"	84"	48"	84"	72"	116"
107R220	220	175	68"	84"	99"	120"	86"	116"



Quick and easy loading of seed into Bulk Seed Tender®



Quick and easy loading of seed into planter.

Other Friesen Products

- ◇ Complete Bulk Seed Stations
- ◇ Seed Titans™ – Bag Box Delivery Unit
- ◇ Seed Express™ – Belt Tube Conveyor
- ◇ Bulk Bag Handlers
- ◇ Scale Hoppers
- ◇ Seed Bins
- ◇ Conveyors



www.friesenusa.com

ph. 800-437-2334
 fax 712-732-1028
 2897 Expansion Blvd.
 Storm Lake, IA 50588

For more information contact: